

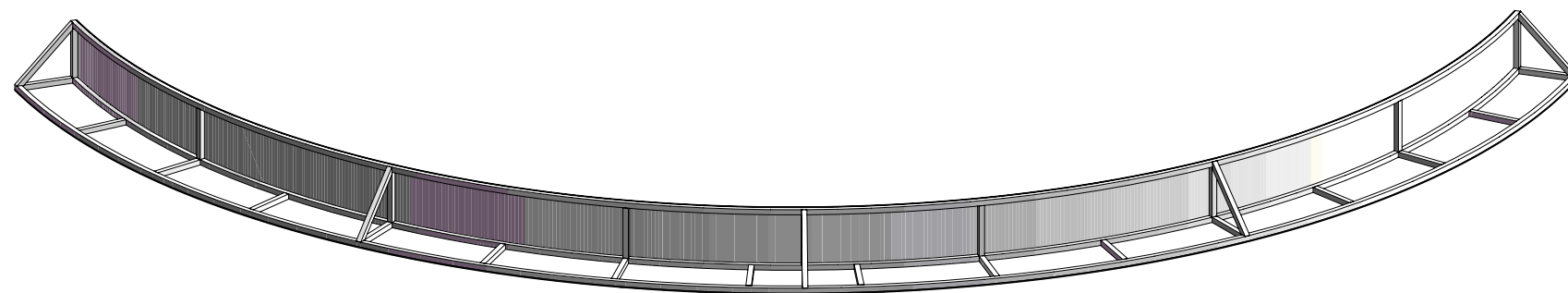


JULIUS CAESAR

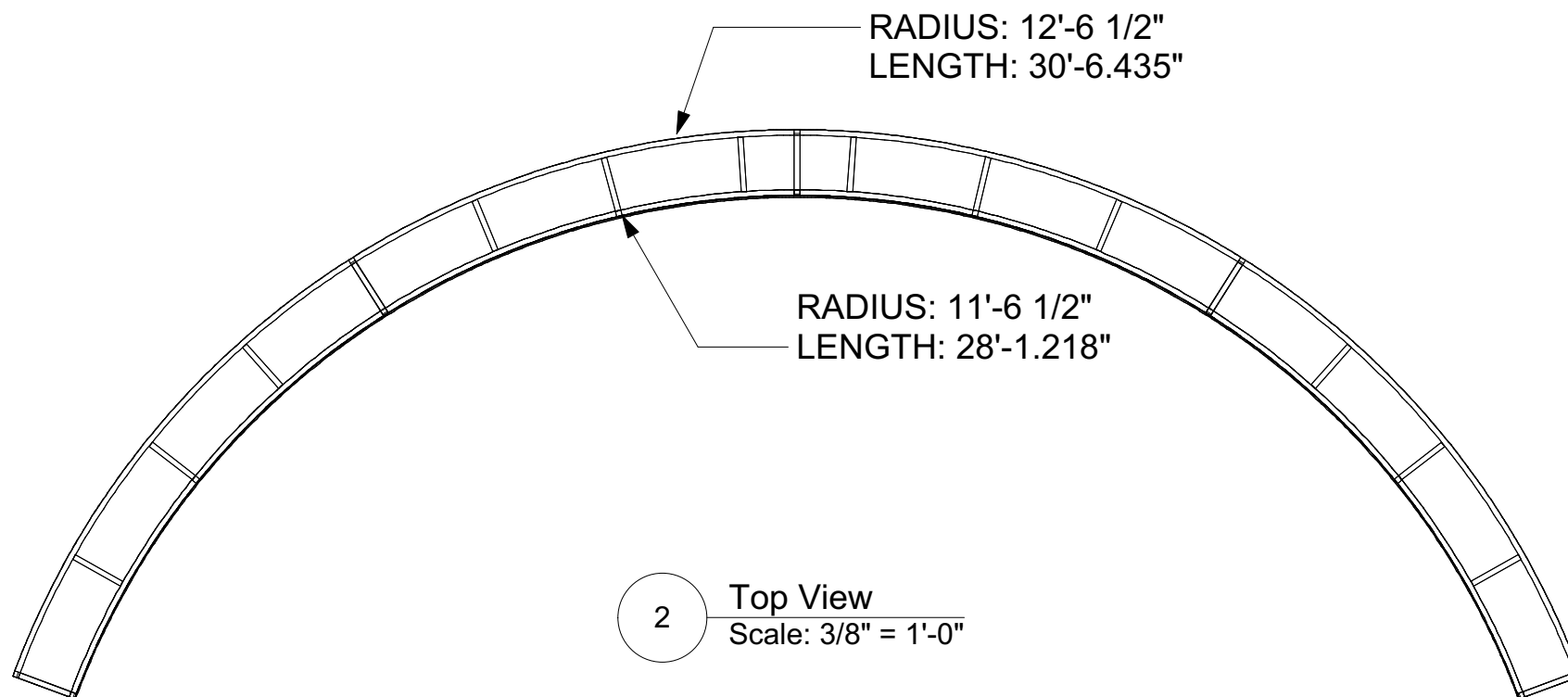
Technical Director: Rowen Harder
 Assistant TD: Nate Mohlman

Director: Segun Ojewuji
 Designer: Tori Evans

DRAFTSPERSON:	Nate Mohlman
DATE REVISED:	3/28/19
DRAWING TITLE:	Header
PLATE #	500
SCALE:	AS NOTED



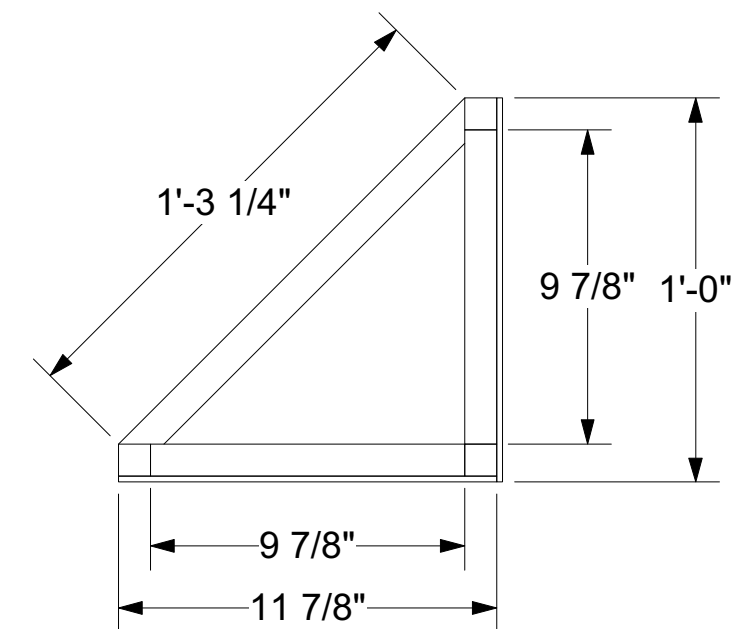
1 Rear View Iso
 Scale: 3/8" = 1'-0"



2 Top View
 Scale: 3/8" = 1'-0"

NOTES:

- 1" X 1" BOX TUBE CONSTRUCTION
- BOTTOM SUPPORTS PLACED ON 2' CENTERS FROM EITHER END
- FACE SUPPORTS PLACED ON 4' CENTERS
- ANGLED SUPPORTS PLACE ON THE ENDS, MIDDLE, AND 8' FROM ENDS
- SUPPORTS CAN BE ADDED FOR SEAM BOLSTERING AND FRAME ALIGNMENT



3 Side View
 Scale: 2" = 1'-0"